

5

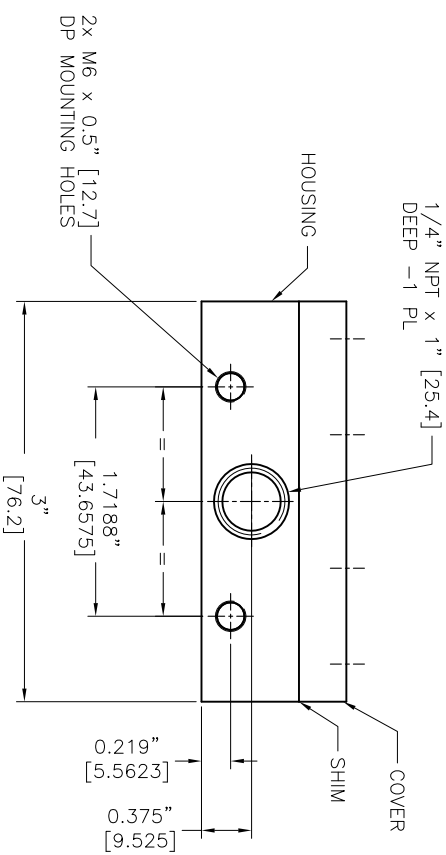
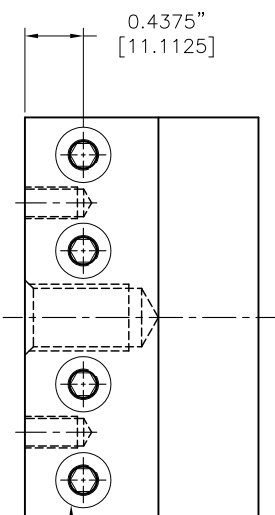
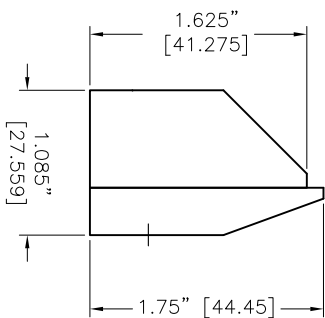
4

3

2

1

- NOTES:
- 1 ALL DIMENSIONS SHOWN ARE FINISH OPERATIONAL DIMENSIONS WHICH INCLUDE RESIDUAL COATINGS UNLESS OTHERWISE SPECIFIED.
  - 2 PART TO BE PACKED PROPERLY TO AVOID ANY DAMAGE WHILE SHIPPING & HANDLING.
  - 3 ALL HORIZONTAL DIMENSIONS ARE SYMMETRICAL ABOUT CENTER LINE UNLESS OTHERWISE SPECIFIED.



MATERIAL  
ALUMINIUM

THIRD ANGLE PROJECTION		REQUIREMENTS-UNLESS OTHERWISE SPECIFIED		CONTRACT NUMBER -		NEX FLOW AIR PRODUCTS CORP.	
		GENERAL		CLIENT		10520 YONCE STREET, UNIT 358-220, RICHMOND HILL, ON L4C 3C7	
		1. DIMS ARE IN INCHES (MM)		CONTRACTOR		TEL: (416) 410-1313 & FAX: (416) 410-1806 WWW.NEX-FLOW.COM	
		2. DIMENSIONING AND TOLERANCING IN ACCORDANCE WITH ASH TR4.3 (1982)		DATE		TITLE	
		3. HORIZONTAL DIMS TO MICRO INCH UNLESS OTHERWISE SPECIFIED		27/11/2013		OUTLINE DRAWING OF	
		4. BREAK SHARP CORNERS .005 TO .015 UNLESS OTHERWISE SPECIFIED		PROJECT		3" X-STREAM AIR BLADE AIR KNIFE	
		5. BREAK SHARP CORNERS .005 TO .015 UNLESS OTHERWISE SPECIFIED		MATERIALS		SIZE	
		1. LINEAR DIMS		MANUFACTURING		CAGE CODE	
		2. ANGLES = 30°		ELECTRICAL		DWG NO	
		3. RADIUS = 1/8"		SCALE		10003X	
		4. HOLES IN ACCORDANCE WITH AND 10287		1:1		REV	
				SHEET		1 OF 1	

5

4

3

2

1